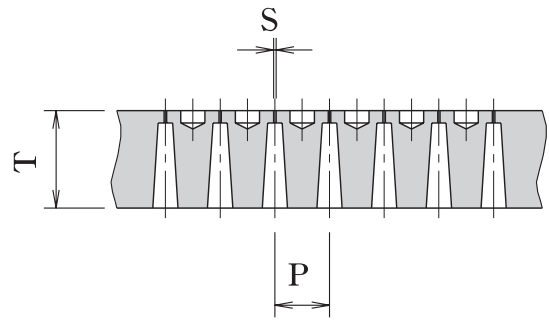
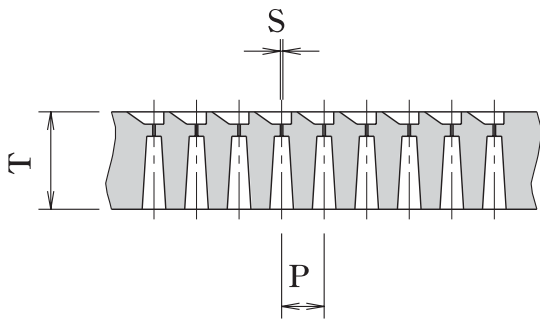


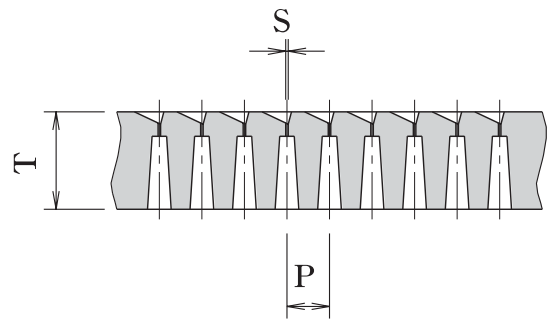
Plain



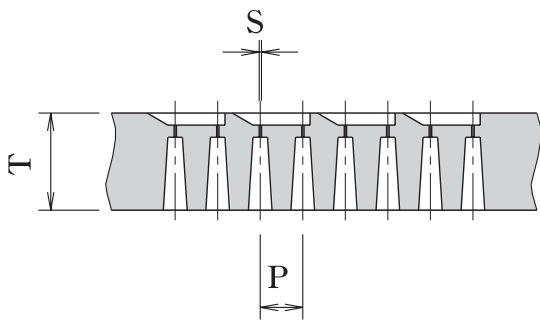
Dimple



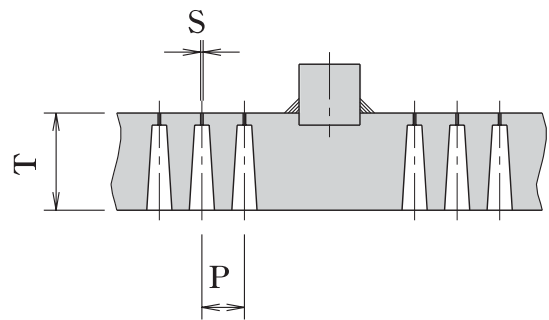
Profile



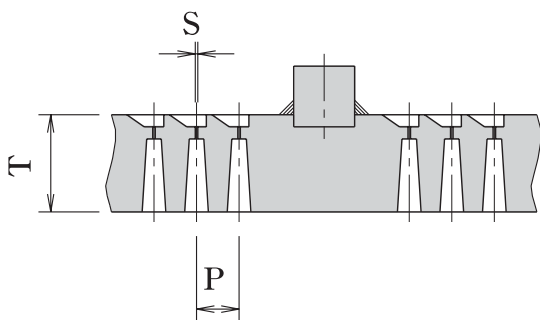
Super Profile



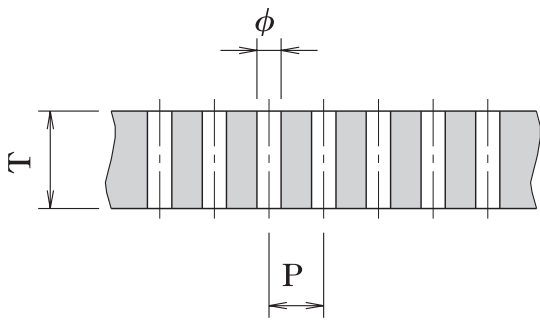
Spectro



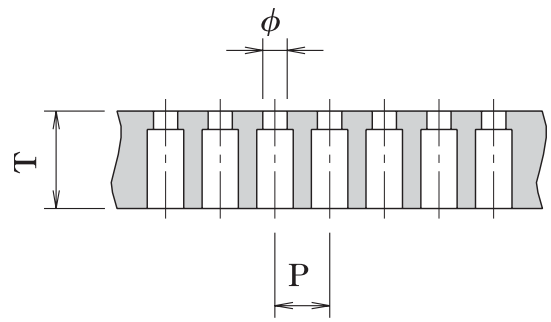
Baffle Plain



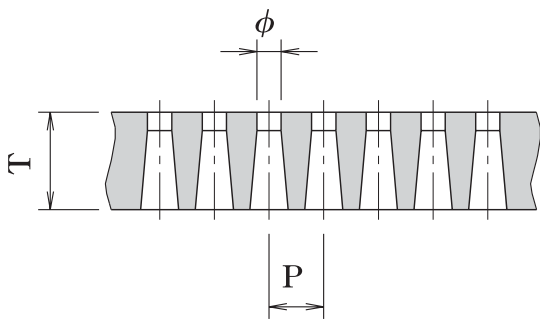
Baffle Profile



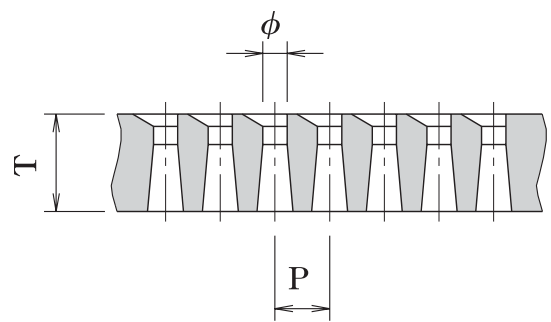
Straight



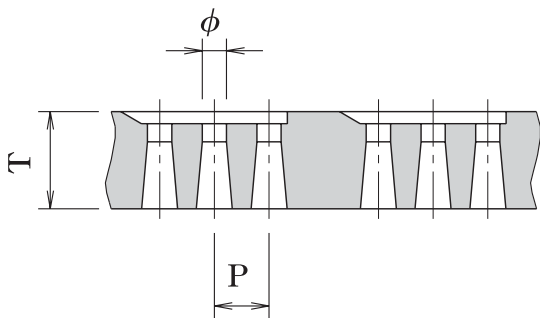
Double



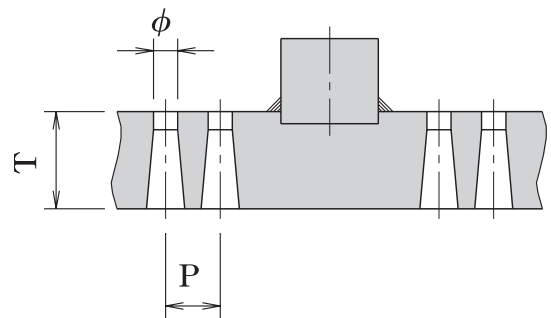
Conical



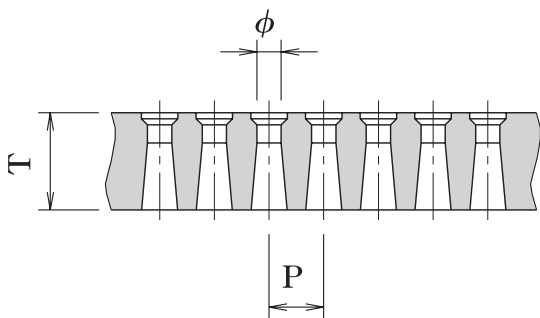
Profile Conical



Spectro Conical



Baffle Conical



Double Conical